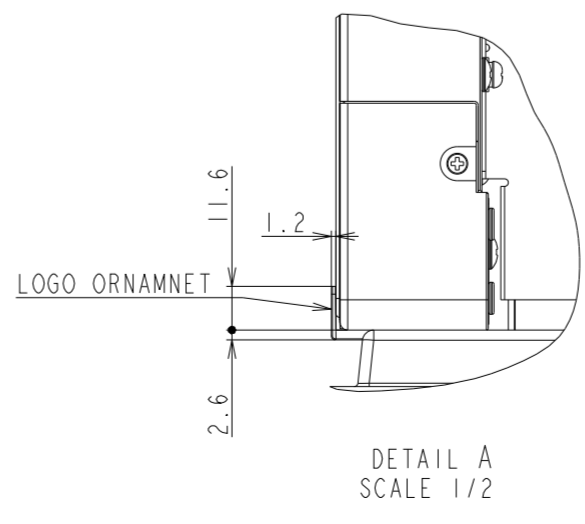
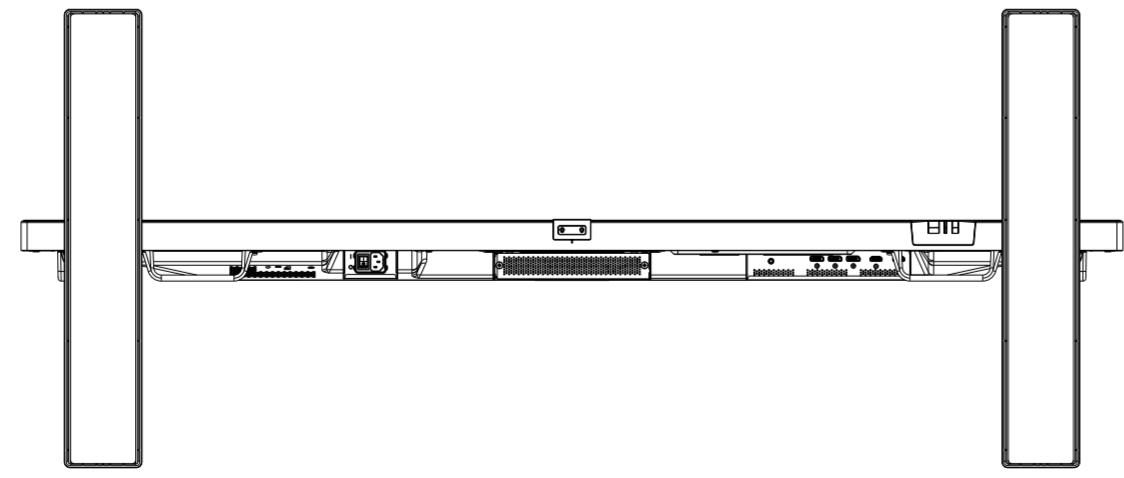
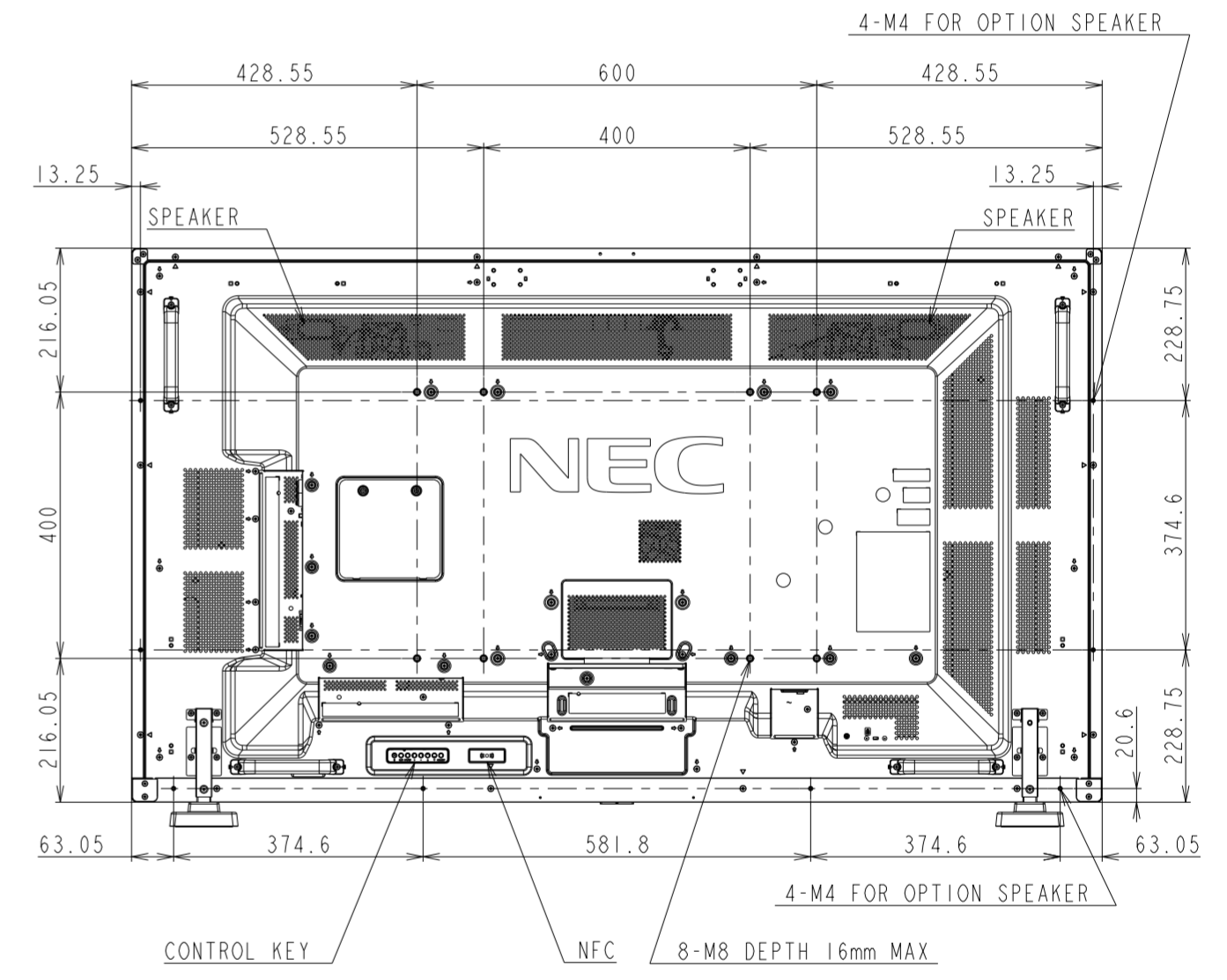
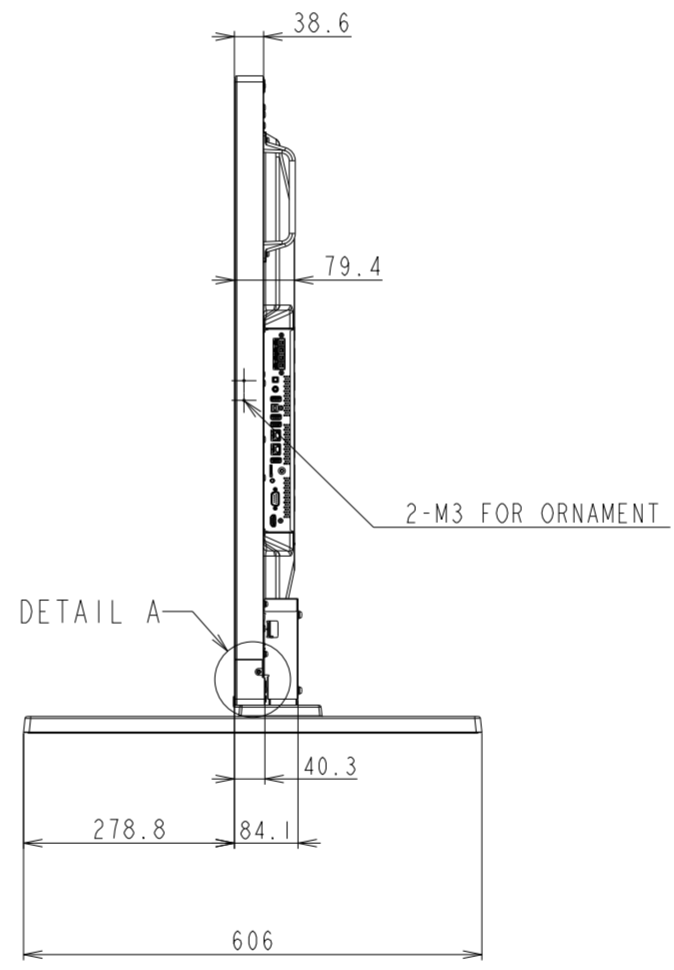
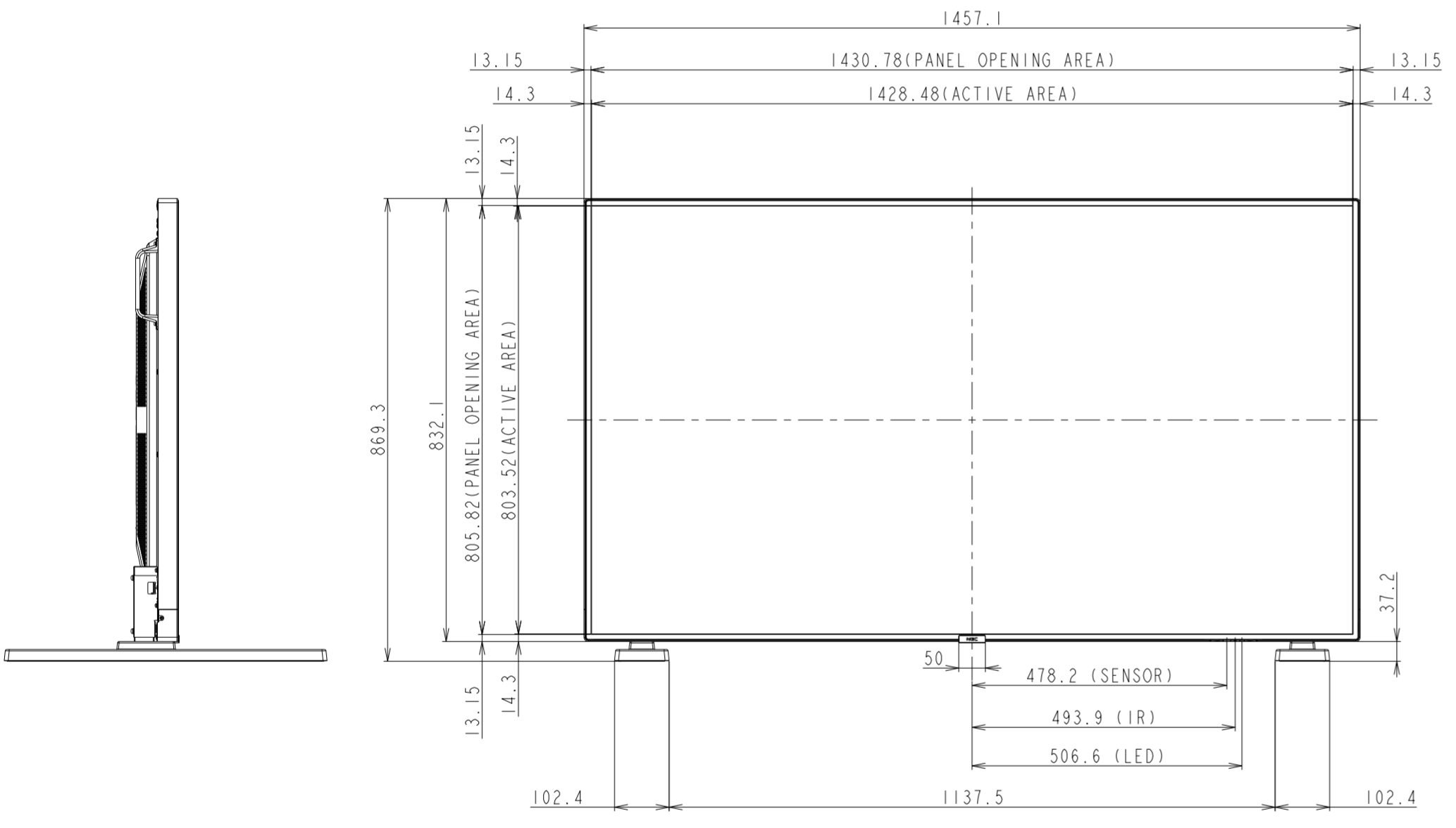
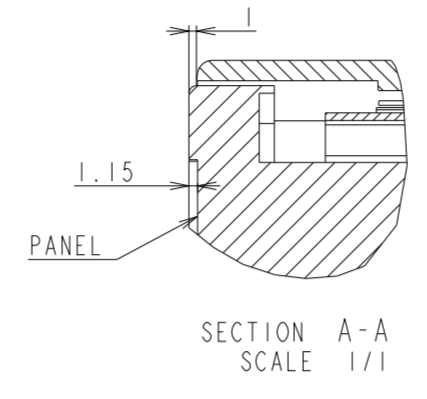
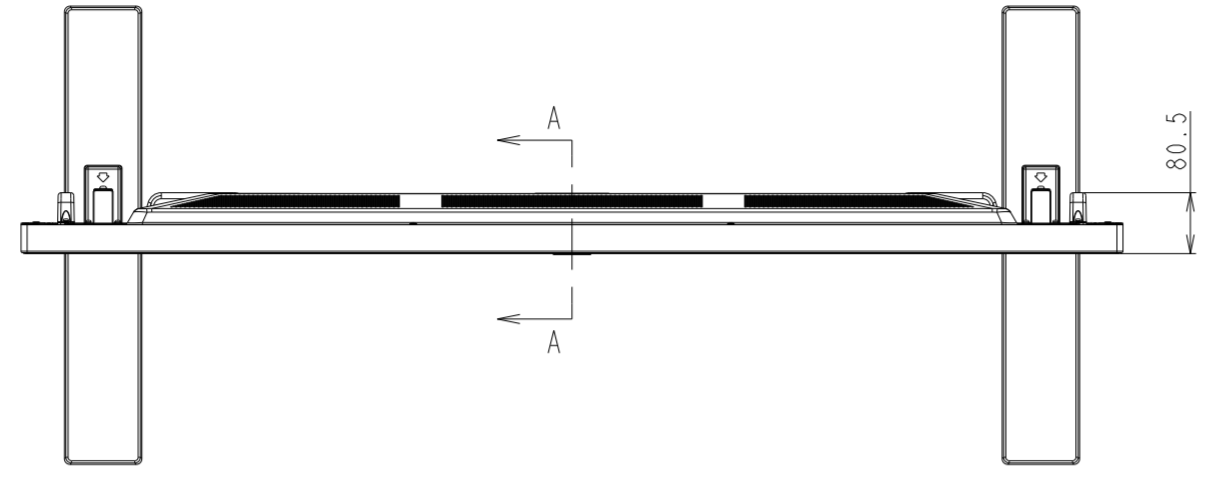


V654Q OUTLINE WITH ST-801



UNIT	mm
MODEL	V654Q
SCALE	1/10
NEC Display Solutions	
2018/11/27	