

Technical specifications:

Connections: 1x USB Type C (5V DC input)
 1x HDMI 2.0
 2x USB 2.0
 1x RJ45 10/100/1000 Mbps Ethernet
 1x RS232

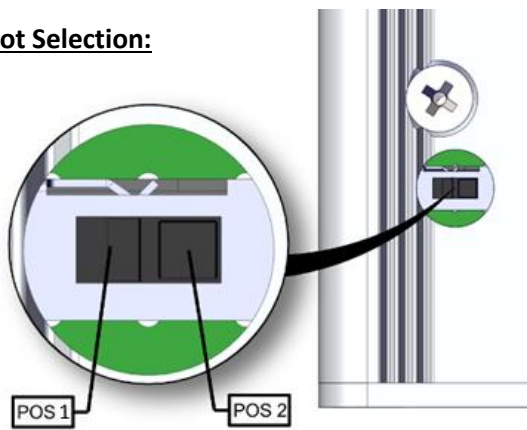
Features: Broadcom BCM2711
 quad-core Cortex-A72 (ARM v8) 64-bit @ 1.5GHz
 - 4GB RAM
 - 32GB EMMC

Power: 5V DC @ typ. 1.5 A (full load)
 Operating temperature [°C] 0-50
 Dimensions (mm) 89 x 105 x 30
 Net weight (g) 248 g

Installation instructions

1. The MPI4 Box and its components are sensitive to static electricity (ESD) and other damage. Therefore, be careful when handling and inspecting this product to ensure the integrity of the product at all times.
2. Switch off the Public Display or the projector completely using the toggle switch, or disconnect the device completely from the mains before installing and wiring the MPI4 Box.
3. The MPI4 Box starts automatically after switching on the Public Display.

Boot Selection:



POS 1	USB boot	Boots from USB-C
POS 2	eMMC Boot (default)	Boots from the internal eMMC Flash

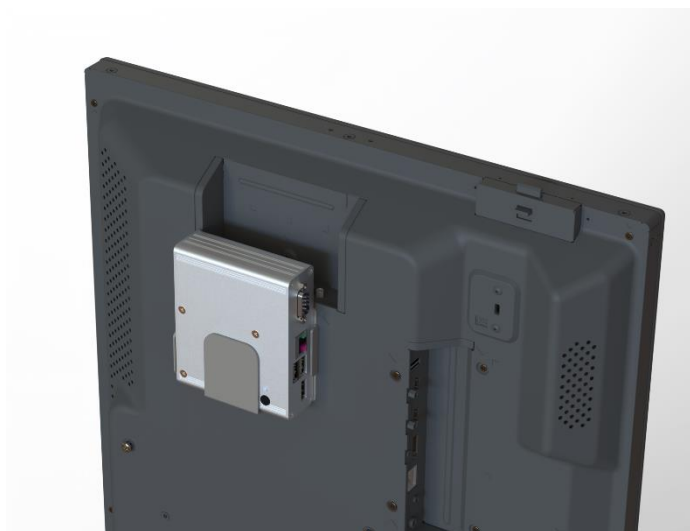


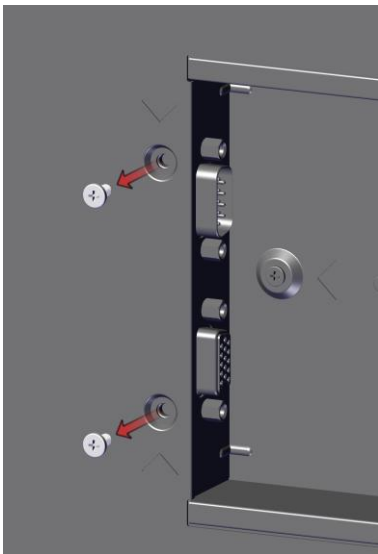
Figure 1: Vertical mounting



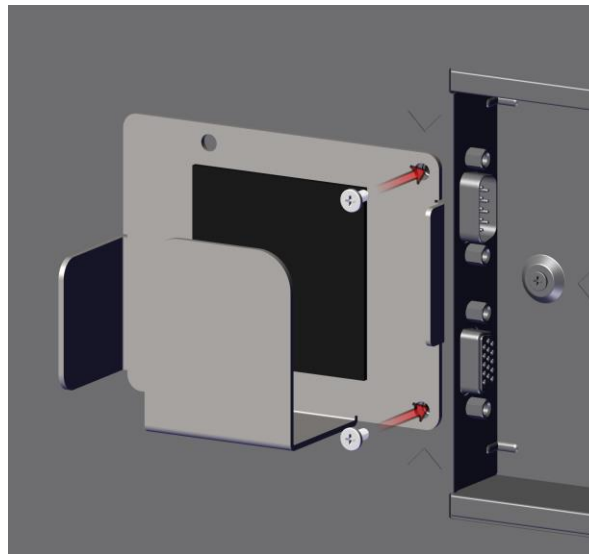
Figure 2: Horizontal mounting

Installation steps for Sharp NEC displays

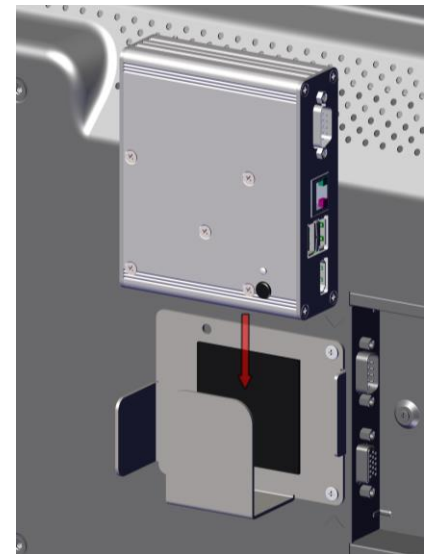
Horizontal mounting:



Step 1: Remove existing screws

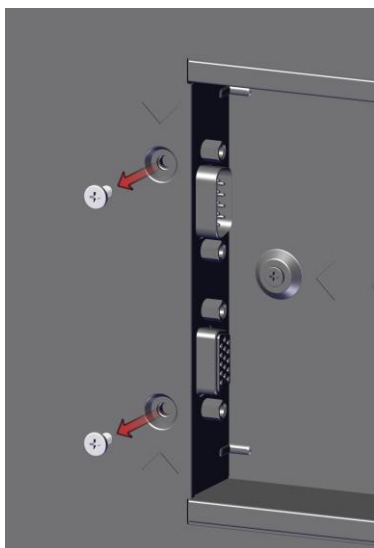


Step 2: Fasten the mounting plate with the previously removed screws

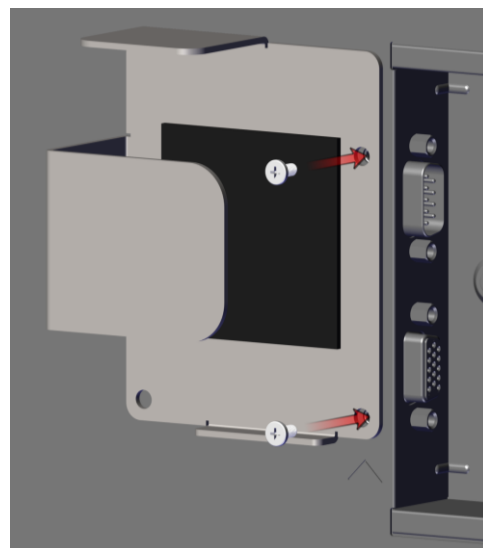


Step 3: Insert the MPI4 box

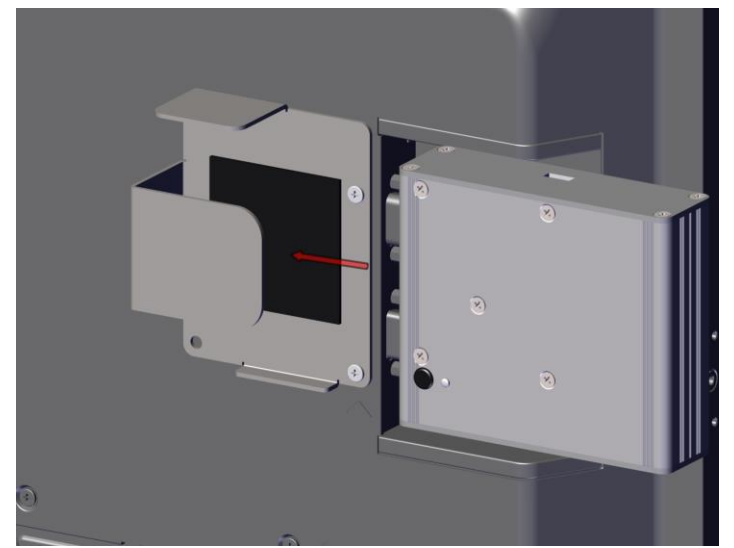
Vertical mounting:



Step 1: Existing screws Remove



Step 2: Mounting plate with previously removed Fastening the screws



Step 3: Insert the MPI4 box

Safety instructions

1. Please note that the combination of MPI4 Box and display is approved for a maximum ambient temperature of 35°. Higher temperatures can cause damage to the display and the MPI4 Box or reduce the service life. The operating altitude must be between 0 m and 3000 m above sea level.
2. If you want to remove the MPI4 Box from the bracket, make sure that the MPI4 Box has cooled down sufficiently.
3. The device must be used in accordance with the operating instructions or data sheet.
4. All instructions regarding installation, maintenance, transportation or storage that are necessary for the safety of the MPI4 Box or the user must be observed.
5. To ensure sufficient air circulation for device cooling, make sure that the MPI4 Box is not installed in areas (e.g. housing) where there is no or insufficient air circulation. Ensure unobstructed ventilation. Do not install the system near heat sources or in damp locations.
6. Only devices or parts that meet the requirements of the currently valid safety standards may be connected to the existing interfaces.
7. Do not insert any metal objects or other foreign bodies into the appliance.

TROUBLESHOOTING

1. The MPI4 does not start
 - a. Is the USB-C cable (Power Input 5V) connected correctly?
 - b. Check the wiring on both sides.
2. The MPI4 starts, but I can't see a picture
 - a. Is "the correct HDMI port" selected as the input?
 - b. Is the HDMI cable correctly plugged into the MPI4 box and display? Check the wiring on both sides.
3. The image appears blurred
 - a. Is the correct resolution set?
For the native resolution of your monitor / projector, please refer to the operating instructions or the data sheet of the respective device.
The display may be set to a different size. Press the "Size" button or "Aspect" on the remote control repeatedly until "Standard" is displayed in green at the top right.
4. A device that was connected via USB does not work properly
 - a. Make sure that all drivers are installed.
 - b. Contact the manufacturer of the USB device.
 - c. Check the USB-C cable connection, the cable may be too long and therefore the signal quality too poor. Check this by using a shorter cable, e.g. 1.5 - 2 meters
5. The MPI4 Box does not boot
 - a. Make sure that the correct boot option is selected. Pos. 1 USB-C Device / Pos. 2 internal eMMC (default)
See Boot section (page 1)

Declaration of Conformity

FCC Class B

- Declaration based on 47 CFR 15.19(a)(3):

"This device complies with part 15 of the FCC Rules. Operation is subject to the following two conditions:

- (1) This device may not cause harmful interference and
- (2) this device must accept any interference received, including interference that may cause undesired operation."

-Statement for Class B based on 47 CFR 15.105(b)

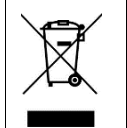
"Note: This equipment has been tested and found to comply with the limits for a Class B digital device,

pursuant to part 15 of the FCC Rules. These limits are designed to provide reasonable protection against harmful interference in a residential installation. This equipment generates, uses and can radiate radio frequency energy and, if not installed and used in accordance with the instructions, may cause harmful interference to radio communications. However, there is no guarantee that interference will not occur in a particular installation. If this equipment does cause harmful interference to radio or television reception, which can be determined by turning the equipment off and on, the user is encouraged to try to correct the interference by one or more of the following measures:

Reorient or relocate the receiving antenna. Increase the separation between the equipment and receiver. Connect the equipment into an outlet on a circuit different from that to which the receiver is connected. Consult the dealer or an experienced radio/TV technician for help."



Compliance with Directive 2012/19/EU (WEEE)

	<p>Disposing of your used product: In the European Union EU-wide legislation as implemented in each Member State requires that used electrical and electronic products carrying the mark (left) must be disposed of separately from normal household waste. This includes monitors and electrical accessories, such as signal cables or power cords. When you dispose of such products, please follow the guidance of your local authority or ask the store where you purchased the product, or if applicable, follow applicable legislation or agreement you may have. The mark on electrical and electronic products may only apply to the current European Union Member States.</p> <p>Outside the European Union If you wish to dispose of used electrical and electronic products outside the European Union, please contact your local authority and ask for the correct method of disposal. For EU: The crossed-out wheeled bin implies that used batteries should not be put to the general household waste! There is a separate collection system for used batteries, to allow proper treatment and recycling in accordance with legislation. According to EU directive 2006/66/EC and amendments, the battery can't be disposed improperly. The battery shall be separated to collect by local service.</p> <p>Turkish WEEE (AEEE Yönetmeligine Uygundur) Aaronn Electronic GmbH follows the EU WEEE requirements and can meet the Turkish WEEE requirements for product design and labeling. Please contact the importer for information on WEEE recycling.</p>
--	---